



**STEEL TOWER SYSTEM
DECK PLATE
SKID KIT
LADDERS**

ASSEMBLY INSTRUCTIONS

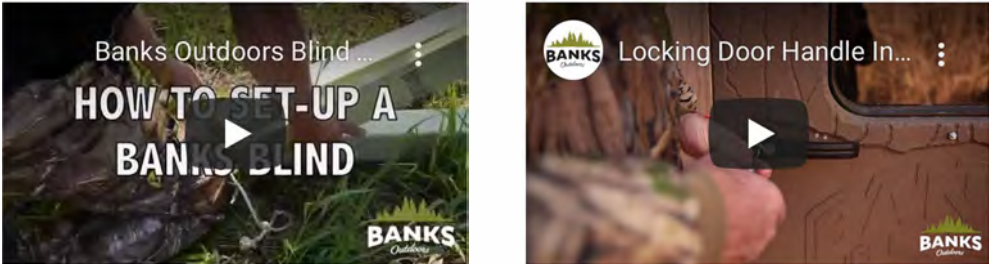
TABLE OF CONTENTS

Introduction	03
4' Tower	04
8' Tower	07
4' Extension Kit (12' Tower).....	12
Deck Plate	16
Skid Kit - 4' Tower	18
Skid Kit - 4' Tower With Deck Plate	22
Skid Kit - 8' Tower	26
Skid Kit - 8' Tower With Deck Plate	30
8' Ladder	34
12' Ladder	36

Congratulations on purchasing your new Banks product!

Visit www.banksoutdoors.com to view an online version of this manual as well as select instructional videos.

INSTRUCTIONAL VIDEOS



The image displays two video thumbnails side-by-side. The left thumbnail shows a person's hands working on a dark-colored blind in a wooded area. The text 'HOW TO SET-UP A BANKS BLIND' is overlaid in large white letters. The right thumbnail shows a close-up of a hand operating a locking door handle on a wooden door. The text 'Locking Door Handle In...' is overlaid. Both thumbnails feature the Banks Outdoors logo in the bottom right corner.

BLIND SETUP

LOCKING DOOR HANDLE

If during the assembly you have any questions, **please call:**
800-262-4129 Monday through Friday 8am-5pm central standard time.

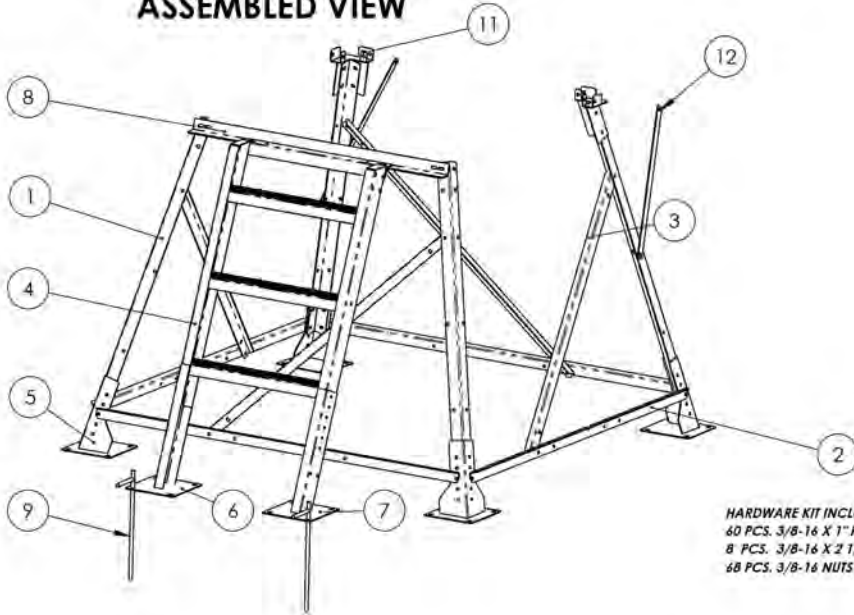
4' TOWER

ASSEMBLY INSTRUCTIONS

PART LIST:

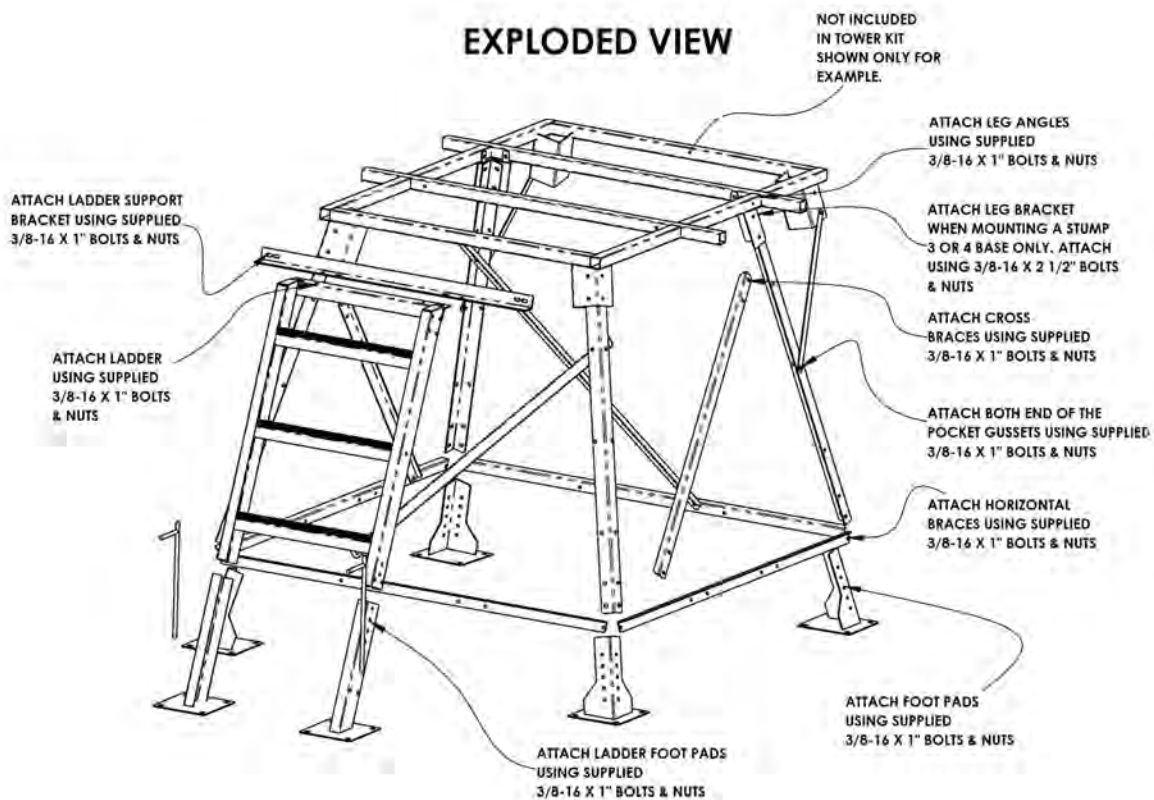
ITEM NO.	PART NUMBER	DESCRIPTION	QTY.
1	90617.01.005	METAL LEG	4
2	90617.01.011	HORIZONTAL BRACE	4
3	90617.01.012	CROSS BRACE	4
4	91517.01.013	LADDER TOP	1
5	92517.01.000	FOOT PAD	4
6	92517.01.005	LADDER FOOT PAD	1
7	92517.01.006	LADDER FOOT PAD	1
8	12218.01.005	LADDER SUPPORT BRACKET	1
9	10618.01.000	ANCHOR	2
10	12017.01.000	HARDWARE KIT	1
11	1270	LEG BRACKET	4
12	10521.01.010	POCKET GUSSET	2

ASSEMBLED VIEW



HARDWARE KIT INCLUDES:
 60 PCS. 3/8-16 X 1" HHB
 8 PCS. 3/8-16 X 2 1/2" HHB
 68 PCS. 3/8-16 NUTS

EXPLODED VIEW



STEEL TOWER SYSTEM | 4' TOWER

1. Set blind on its side shimming the bottom up about 6". Make sure the door is facing you.



2. Attach the Ladder Support Bracket to the front 2 pockets of the blind directly below the door. Use the upper holes on the pockets of the base. The angle of the Ladder Support Bracket will be facing down.



3. **If attaching to a Stump 2, jump to step 4.** Attach the Leg Support Brackets to the Steel Base of your Stump 3, Stump 4 or Sequoia. **If attaching to Sequoia,** bolt on 4 Leg Support Brackets. Find the pre-drilled holes in the base that are approximately between the front 4x4 pocket and rear 4x4 pocket. Attach the Leg Support Brackets to the base so that the angle of the brackets point towards the rear, matching the 4x4 pockets.



When attaching the front brackets to the Sequoia, the angle of the brackets will point towards the front, matching the 4x4 pockets.



STEEL TOWER SYSTEM | 4' TOWER

4. **Stump 2:** On the 4 pockets...

Stump 3 & 4: On the front 2 pockets and 2 Leg Support Brackets (from step 3)...

Stump Sequoia: On the 4 Leg Support Brackets...

...of the steel base, attach (4) of the (8) 46" angled metal legs with (16) 3/8-16 x 1" bolts. Snug up all the bolts, but do not tighten.



5. If attaching to a Stump 2 or Sequoia, jump to step 6. Attach the Support Straps to the rear pockets of your Stump 3 or Stump 4 base. At an angle, line up and attach to the hole of the steel leg.



6. On the outside of the (4) Metal Legs attach the Foot Pads. To do this, use the four bottom holes on the Metal Legs. Tighten bolts.



7. To attach the Horizontal Braces, remove the bottom bolt that connects the Foot Pad to the Leg. Attach all (4) 59 3/4" Horizontal Braces. Be sure to have all the angles face the sky when the blind is stood up. All these Horizontal Braces attach to the outside of the legs. Snug up bolts but do not tighten



STEEL TOWER SYSTEM | 4' TOWER

8. Attach the Cross Brace to the 3rd hole down from the top of the leg. This will go on the inside with the angle facing up. Attach the lower side of the Cross Brace to the Horizontal Brace. You will only be putting on half of an "X" brace on each side of the Steel Tower System, so on the opposite side run the Cross Bracing in the opposite direction. This WILL NOT work if bolts have been tightened. Repeat on all sides.



9. Set blind upright



10. Assemble the ladder. Attach the Ladder Foot Pads to the bottom of the Ladder. *Note: The multiple holes are for adjustment on uneven terrain.



11. Take the fully assembled Ladder to your blind and attach to the Ladder Support Bracket. Insert the Locking Pegs into the holes on the bracket. With the Pegs inserted, carefully climb your ladder to insert the 3/8-16 x 1" bolts to secure the ladder to the blind.



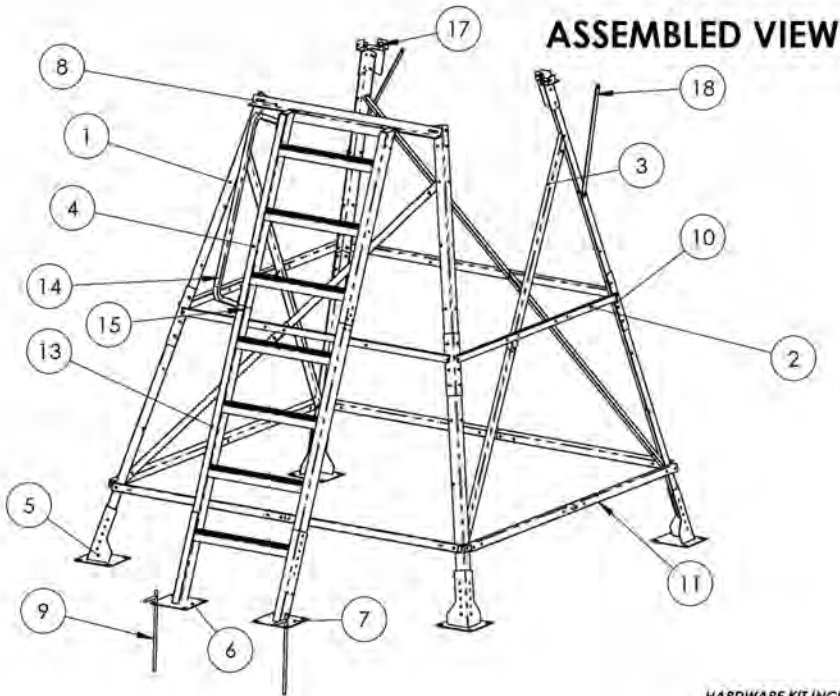
12. Tighten all bolts

13. With the (2) Stakes, fasten the ladder to the ground using the holes in the Foot Pads.

14. Assembly is complete!

8' TOWER

ASSEMBLY INSTRUCTIONS



PART LIST:

ITEM NO.	PART NUMBER	DESCRIPTION	QTY.
1	90617.01.005	METAL LEG	8
2	90617.01.011	HORIZONTAL BRACE	4
3	90617.01.012	CROSS BRACE	8
4	91517.01.013	LADDER TOP	1
5	92517.01.000	FOOT PAD	4
6	92517.01.005	LADDER FOOT PAD	1
7	92517.01.006	LADDER FOOT PAD	1
8	12218.01.005	LADDER SUPPORT BRACKET	1
9	10618.01.000	ANCHOR	2
10	90617.01.010	LEG CONNECTOR	4
11	91517.01.005	HORIZONTAL TUBE	8
12	91517.01.007	SQUARE CONNECTING TUBE	4
13	91517.01.016	LADDER BOTTOM	1
14	91517.01.017	HAND RAIL	1
15	10318.01.000	LADDER PLATE	2
16	92517.01.099	HARDWARE KIT	1
17	1270	LEG BRACKET	4
18	10521.01.010	POCKET GUSSET	2

HARDWARE KIT INCLUDES:
 116 PCS. 3/8-16 X 1" HHB
 34 PCS. 3/8-16 X 2 1/2" HHB
 150 PCS. 3/8-16 NUTS

NOT INCLUDED IN TOWER KIT
 SHOWN WITH BASE ONLY FOR
 EXAMPLE

EXPLODED VIEW

ATTACH LADDER SUPPORT
 BRACKET USING SUPPLIED
 3/8-16 X 1" BOLTS & NUTS

ATTACH LADDER
 USING SUPPLIED
 3/8-16 X 1" BOLTS
 & NUTS

ATTACH RAILING &
 BACKER PLATE TO LADDER
 USING SUPPLIED
 3/8-16 X 1" BOLTS
 & NUTS

ATTACH HORIZONTAL TUBES
 USING SUPPLIED
 3/8-16 X 2 1/2" BOLTS & NUTS

ATTACH LADDER FOOT PAD
 USING SUPPLIED
 3/8-16 X 1" BOLTS & NUTS

ATTACH LEG ANGLES
 USING SUPPLIED TO TOP BASE
 3/8-16 X 1" BOLTS & NUTS

ATTACH LEG BRACKETS
 WHEN MOUNTING A STUMP
 3 OR 4 BASE ONLY. ATTACH
 USING 3/8-16 X 2 1/2" BOLTS
 & NUTS

ATTACH CROSS BRACE
 USING SUPPLIED TO TOP BASE
 3/8-16 X 1" BOLTS & NUTS

ATTACH BOTH ENDS OF THE
 POCKET GUSSETS USING SUPPLIED
 3/8-16 X 1" BOLTS & NUTS

ATTACH HORIZONTAL
 BRACES USING SUPPLIED
 3/8-16 X 1" BOLTS & NUTS

ATTACH CROSS BRACE
 USING SUPPLIED TO TOP BASE
 3/8-16 X 1" BOLTS & NUTS

ATTACH SQUARE CONNECTING
 TUBES USING SUPPLIED
 3/8-16 X 2 1/2" BOLTS & NUTS

ATTACH LEGS
 USING SUPPLIED
 3/8-16 X 1" BOLTS & NUTS

STEEL TOWER SYSTEM | 8' TOWER

1. Set blind on its side shimming the bottom up about 6". Make sure the door is facing you.



2. Attach the Ladder Support Bracket to the front 2 pockets of the blind directly below the door. Use the upper holes on the pockets of the base. The angle of the Ladder Support Bracket will be facing down.



3. **If attaching to a Stump 2, jump to step 4.** Attach the Leg Support Brackets to the Steel Base of your Stump 3, Stump 4 or Sequoia. **If attaching to Sequoia,** bolt on 4 Leg Support Brackets. Find the pre-drilled holes in the base that are approximately between the front 4x4 pocket and rear 4x4 pocket. Attach the Leg Support Brackets to the base so that the angle of the brackets point towards the rear, matching the 4x4 pockets.



When attaching the front brackets to the Sequoia, the angle of the brackets will point towards the front, matching the 4x4 pockets.



STEEL TOWER SYSTEM | 8' TOWER

4. Stump 2: On the 4 pockets...

Stump 3 & 4: On the front 2 pockets and 2 Leg Support Brackets (from step 3)...

Stump Sequoia: On the 4 Leg Support Brackets...

...of the steel base, attach (4) of the (8) 46" angled metal legs with (16) 3/8-16 x 1" bolts. Snug up all the bolts, but do not tighten.



5. If attaching to a Stump 2 or Sequoia, jump to step 6. Attach the Support Straps to the rear pockets of your Stump 3 or Stump 4 base. At an angle, line up and attach to the hole of the steel leg.



6. Attach all (4) Leg Connectors to the (4) 46" Metal Legs using 4 of the 8 holes on the Leg Connector. Leave all bolts loose.



7. With the angle facing the sky, attach the Horizontal Brace by removing and re-inserting the lower bolt that attaches the Leg Connector. Repeat on the remaining 3 sides. Leave all bolts loose.



STEEL TOWER SYSTEM | 8' TOWER

8. Take one of the 48 3/8" Cross Braces and attach to the 3rd hole down from the top of the leg. This will go on the inside with the angle facing up.
 - a. Attach the lower side of the Cross Brace to the Horizontal Brace. Use the opposite side center hole to attach. There will be excess Cross Brace running past the Horizontal Brace. Leave bolt & nut loose.
 - b. You will only be putting on half of an "X" brace on each side of the Steel Tower System, so on the opposite side run the Cross Bracing in the opposite direction. This WILL NOT work if bolts have been tightened.
 - c. Repeat on all sides.



9. Attach the remaining (4) 46" Metal Legs to the other half of the Leg Connectors. Tighten bolts to a snug fit.



10. Take (2) 38.5" Horizontal Tubes and connect them together using the 10" Square Connecting Tube, creating a 77" Horizontal Tube. Completely tighten. Do this for remaining Horizontal Tube pieces.



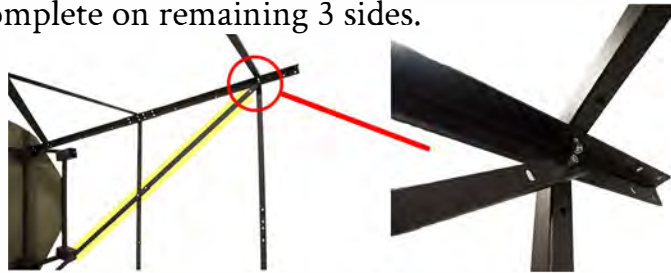
11. Attach the now 77" Horizontal Tube to the 3rd hole up from the bottom of the Metal Leg using one of the 3/8-16 x 2.5" bolts. Do not tighten. Repeat on all sides.



STEEL TOWER SYSTEM | 8' TOWER

12. Complete the Cross Bracing by adding on the remaining 48 3/8" braces.

- First, attach the new braces to the existing Cross Braces matching up to both bolt holes.
- Finish the Cross-Brace attachment by connecting the brace to the same bolt as the Horizontal Tube.
- Repeat & complete on remaining 3 sides.



13. On the outside of the (4) Metal Legs attach the Foot Pads. To do this, use the four bottom holes on the Metal Legs. Tighten bolts.



14. Set blind upright

15. **Assemble the ladder.** Attach the Handrail to the upper Ladder section on your desired side using the 4 holes at the top of the Ladder.



- Place the Ladder Plate inside the outer rail of the ladder and line up the holes connecting the upper and lower Ladder sections. On the side with the Handrail, you will use the same 4 holes for attaching the bottom of the Handrail and the Ladder Plate. Insert the bolts and tighten. Repeat minus the Handrail on the opposite side.



- Attach the Ladder Foot Pads to the bottom of the Ladder. *Note: The multiple holes are for adjustment on uneven terrain.



STEEL TOWER SYSTEM | 8' TOWER

16. Take the fully assembled Ladder to your blind and attach to the Ladder Support Bracket. Insert the Locking Pegs into the holes on the bracket. With the Pegs inserted, carefully climb your ladder to insert the 3/8-16 x 1" bolts to secure the ladder to the blind.



17. Tighten all bolts.

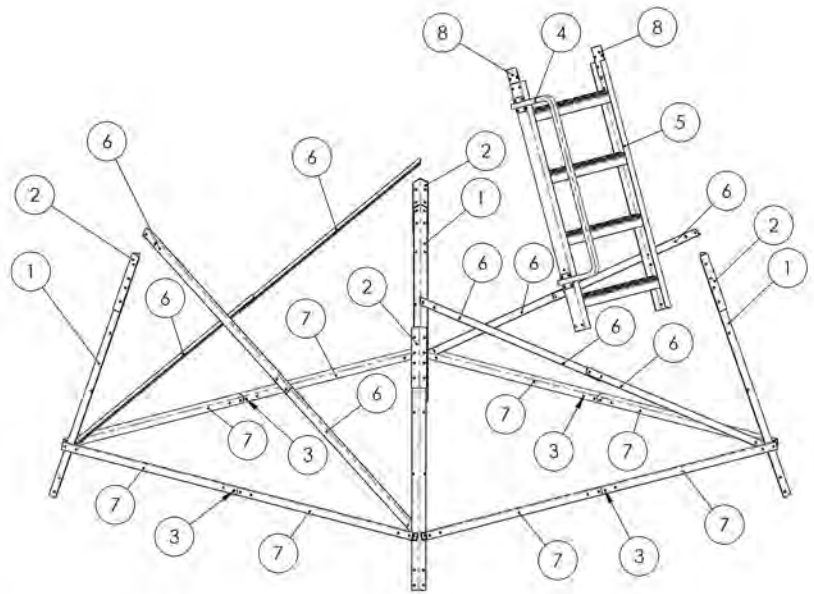
18. With the (2) Stakes, fasten the ladder to the ground using the holes in the Foot Pads.

19. Your assembly is complete!

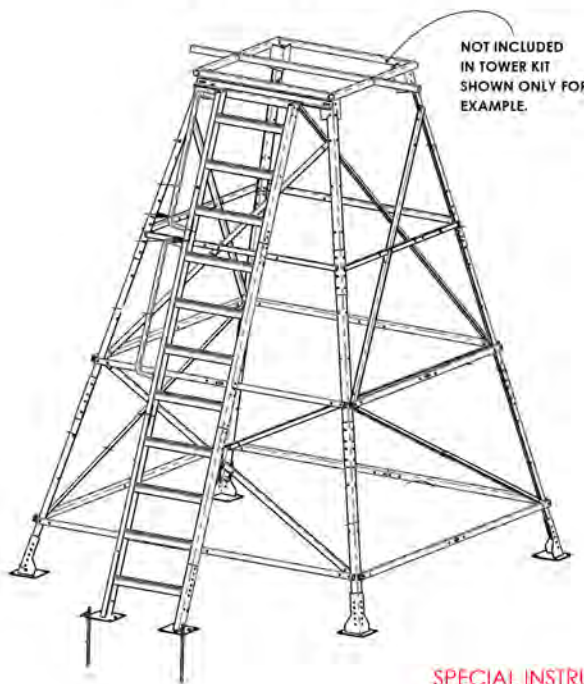


4' EXTENSION KIT (CREATES 12' TOWER) ASSEMBLY INSTRUCTIONS

ITEM NO.	PART NUMBER	DESCRIPTION	QTY.
1	90617.01.005	METAL LEG	4
2	90617.01.010	LEG CONNECTOR	4
3	91517.01.007	SQUARE CONNECTING TUBE	4
4	91517.01.017	HAND RAIL	1
5	10117.01.010	STEP WELDMENT	1
6	90617.01.018	CROSS BRACE	8
7	91517.01.018	HORIZONTAL TUBE	8
8	10318.01.000	LADDER PLATE	2
9	92818.01.000	12' EXTENSION HDWE KIT	1



ASSEMBLED VIEW



SPECIAL INSTRUCTIONS: INSTALL ALL HARDWARE LOOSELY BEFORE TIGHTENING.

STEEL TOWER SYSTEM | 4' EXTENSION KIT

1. Refer to 8' Tower Assembly and follow steps #1-10.

2. Attach the (4) lower Leg Connectors to the existing Metal Legs.



3. Attach the (4) remaining 46" Metal Legs to the Leg Connectors.



4. Take (2) 48 3/4" Horizontal Tubes and connect them together using the 10" Square Connecting Tube, creating a 97" Horizontal Tube. Completely tighten. Do this to create (4) Horizontal Tube pieces.



5. Attach the now 97" Horizontal Tube to the 3rd hole up from the bottom of the Metal Leg using one of the 3/8-16 x 2.5" bolts. Do not tighten. Repeat on all sides.



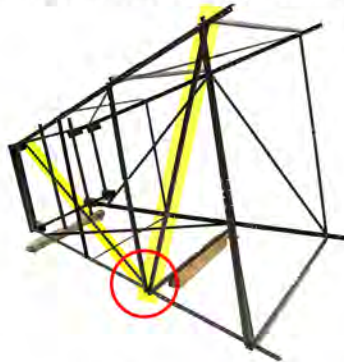
STEEL TOWER SYSTEM | 4' EXTENSION KIT

6. Connect the 51.5" lower Cross Braces to create a 98" Cross Brace. Repeat for remaining Cross Braces.



7. On the inside of the Metal Legs, attach the 98" lower Cross Brace to the 2.5" long bolt that also connects the middle Horizontal Brace and the upper Cross Brace.

- a. Lower Cross Brace should run the opposite angle of the upper Cross Brace on the same side.



8. Attach the bottom of the lower Cross Brace to the same bolt as the lower Horizontal Tube. Repeat on all sides.



9. On the outside of the (4) Metal Legs attach the Foot Pads. To do this, use the four bottom holes on the Metal Legs. Tighten bolts.



10. Set blind upright

STEEL TOWER SYSTEM | 4' EXTENSION KIT

11. Assemble the ladder. Attach the Handrail to the upper Ladder section on your desired side using the 4 holes at the top of the Ladder.



- a. Place the Ladder Plate inside the outer rail of the ladder and line up the holes connecting the upper and middle Ladder sections. On the side with the Handrail, you will use the same 4 holes for attaching the bottom of the Handrail and the Ladder Plate. Insert the bolts and tighten. Repeat minus the Handrail on the opposite side.



- b. On the middle section of the ladder (included with the 4' Extension Kit), attach the second handrail using the 8 holes on the outer rail of the ladder.



- c. Attach the Lower Ladder Section to the Middle Ladder Section using the (2) remaining Ladder Plates.
- d. Attach the Ladder Foot Pads to the bottom of the Ladder. *Note: The multiple holes are for adjustment on uneven terrain.

12. Take the fully assembled Ladder to your blind and attach to the Ladder Support Bracket. Insert the Locking Pegs into the holes on the bracket. With the Pegs inserted, carefully climb your ladder to insert the 3/8-16 x 1" bolts to secure the ladder to the blind. Tighten all bolts



13. With the (2) Stakes, fasten the ladder to the ground using the holes in the Foot Pads.

14. Your assembly is complete!

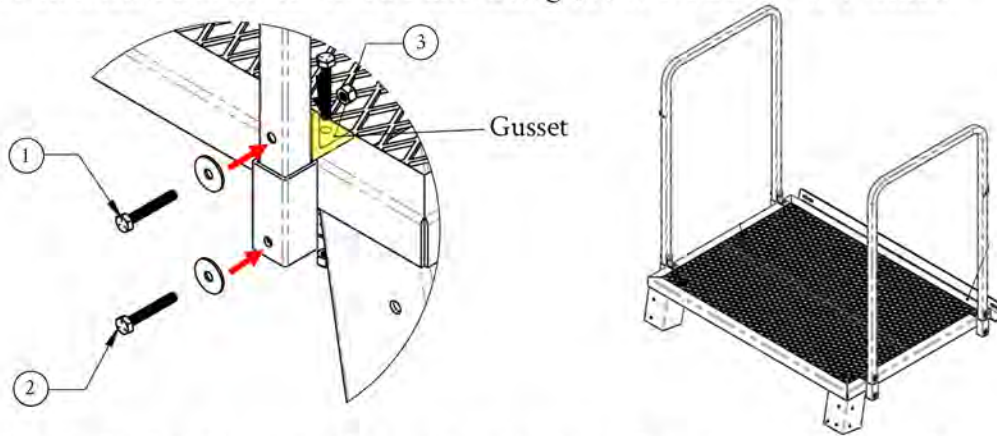
DECK PLATE | WOOD & STEEL LEGS

PARTS LIST

- (1) Deck Plate Platform
- (2) Handrails
- (1) Deck Plate Support Bracket
- (4) Angled Gussets
- (8) Washers
- (4) Lag Screw
- (2) 3/8-16 x 1" Bolts
- (2) 3/8-16 Nylock Nuts
- (12) 1/4-20 x 1 3/4" Bolts
- (12) 1/4-20 Nylock Nuts

1. Un-package all components of the Deck Plate.

2. First, attach the (4) Angled Gussets to the Deck Plate with (4) 1/4 x 20 x 1 3/4" bolts. Attach the handrails to both sides of the Deck Plate using (8) 1/4 x 20 x 1 3/4" bolts.



3. Attach the Deck Plate Support Bracket to the front 2 pockets of the Steel Base using the upper 2 holes.

*With wood legs, attach the Deck Plate Support Bracket with lag bolts furnished with your Stump Blind.

*With Steel Legs, attach the Deck Plate Support Bracket with the 3/8-16 x 1" bolts furnished with the Steel Tower System.

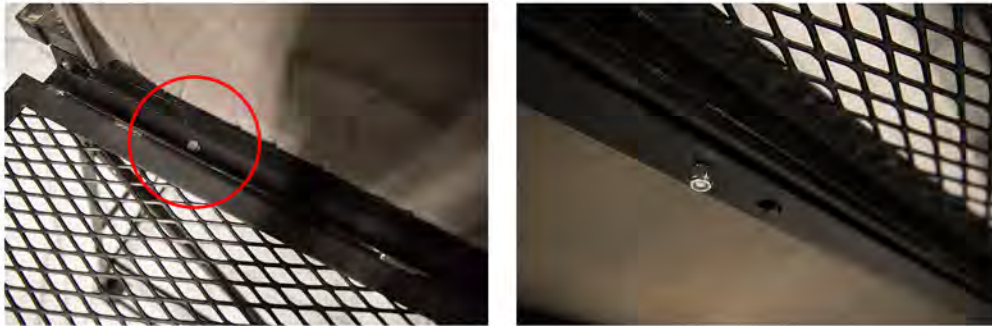


Wood Legs continue onto Step 4, Steel Legs continue onto Step 6

4. While the Deck Plate is on the ground, insert your green-treated 4x4 posts into the pockets of the Deck Plate and attach.

DECK PLATE | WOOD & STEEL LEGS

5. Attach 2x6 steps to the 4x4s to create your ladder.
6. Attach your Ladder Support Bracket to the pockets on the front of your Deck Plate using the 3/8-16 x 1" bolts.
7. Lay your Deck Plate on its side and slide your ladder up to the Ladder Support Bracket and attach the Deck Plate and the Ladder together.
8. Elevate your Deck Plate and attach it to the Deck Plate Support Bracket using the center pins on the back of the Deck Plate.
9. Carefully climb your ladder and insert both 3/8-16 x 1" bolts into the back of the Deck Plate where it attaches to the Deck Plate Support Bracket. Tighten.
***If attaching the Deck Plate to the Steel Tower System, we advise you to drive the stakes into the base of the ladder before climbing.**



10. Your assembly is complete.



SKID KIT FOR 4' TOWER

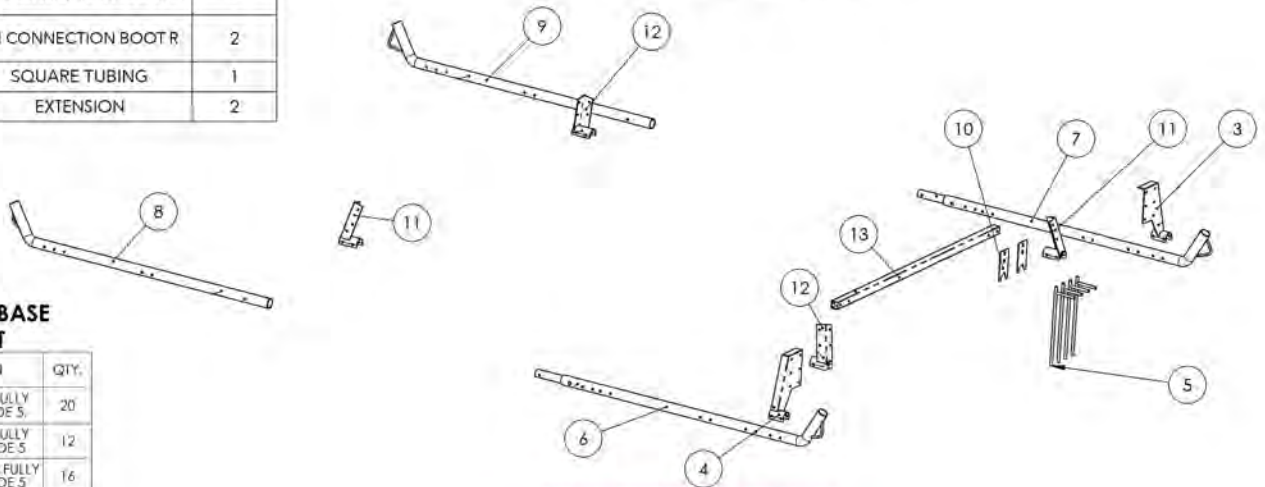
ASSEMBLY INSTRUCTIONS

PART LIST:

ITEM NO.	PART NUMBER	DESCRIPTION	QTY.
1	91517.01.025	HORIZONTAL TUBE	2
2	91517.01.007	SQUARE CONNECTING TUBE	1
3	91517.01.004	LADDER SUPPORT WING	1
4	91517.01.024	LADDER SUPPORT WING	1
5	10618.01.000	ANCHOR	4
6	91517.01.000	FRONT SKI BASE LH	1
7	91517.02.000	FRONT SKI BASE RH	1
8	91517.03.000	REAR SKI BASE RH	1
9	91517.04.000	REAR SKI BASE LH	1
10	92219.01.000	LADDER CONNECTION PLATE	2
11	91517.50.003.1	SKI CONNECTION BOOT L	2
12	91517.51.003.1	SKI CONNECTION BOOT R	2
13	91517.01.026	SQUARE TUBING	1
14	91517.01.028	EXTENSION	2

NOTE: There are pieces in the box that will not be used in this assembly.

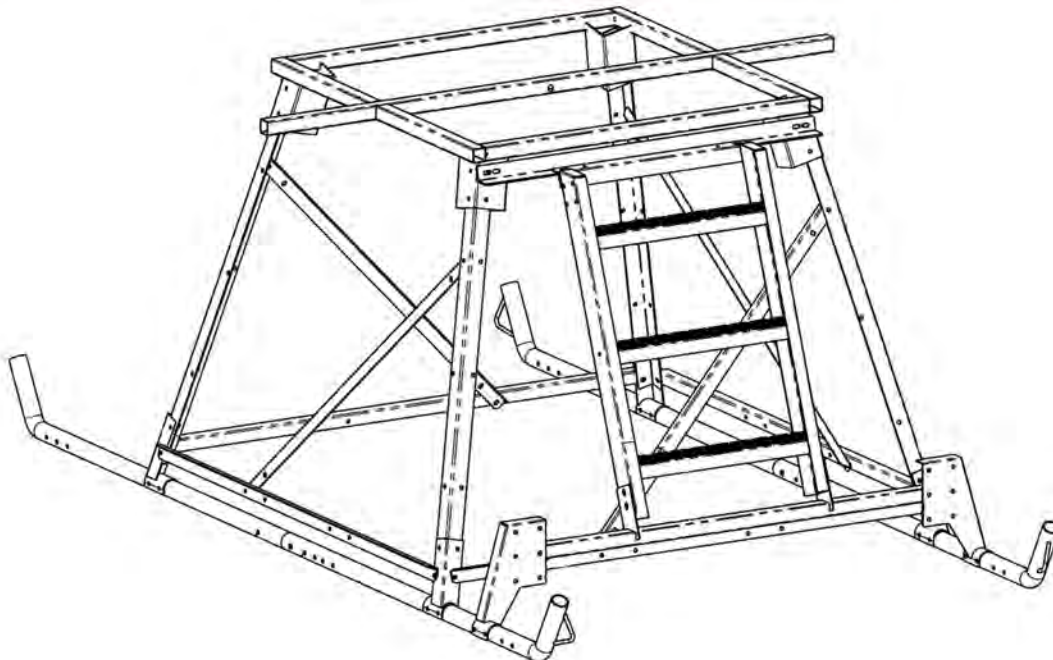
EXPLODED VIEW



SPECIAL INSTRUCTIONS: INSTALL ALL HARDWARE LOOSELY BEFORE TIGHTENING.

**STEEL SKID SYSTEM BASE
HARDWARE KIT**

ITEM NO.	PART NUMBER	DESCRIPTION	QTY.
1	92865A624	3/8-16 X 1" HHB FULLY THREADED GRADE 5	20
2	92865A632	3/8-16 X 2" HHB FULLY THREADED GRADE 5	12
3	92865A634	3/8-16 X 2 1/2" HHB FULLY THREADED GRADE 5	16
4	92865A636	3/8-16 X 3" HHB FULLY THREADED GRADE 5	12
5	95615A140	3/8-16 NYLOCK NUT GRADE 5	60



SKID KIT | FOR 4' TOWER

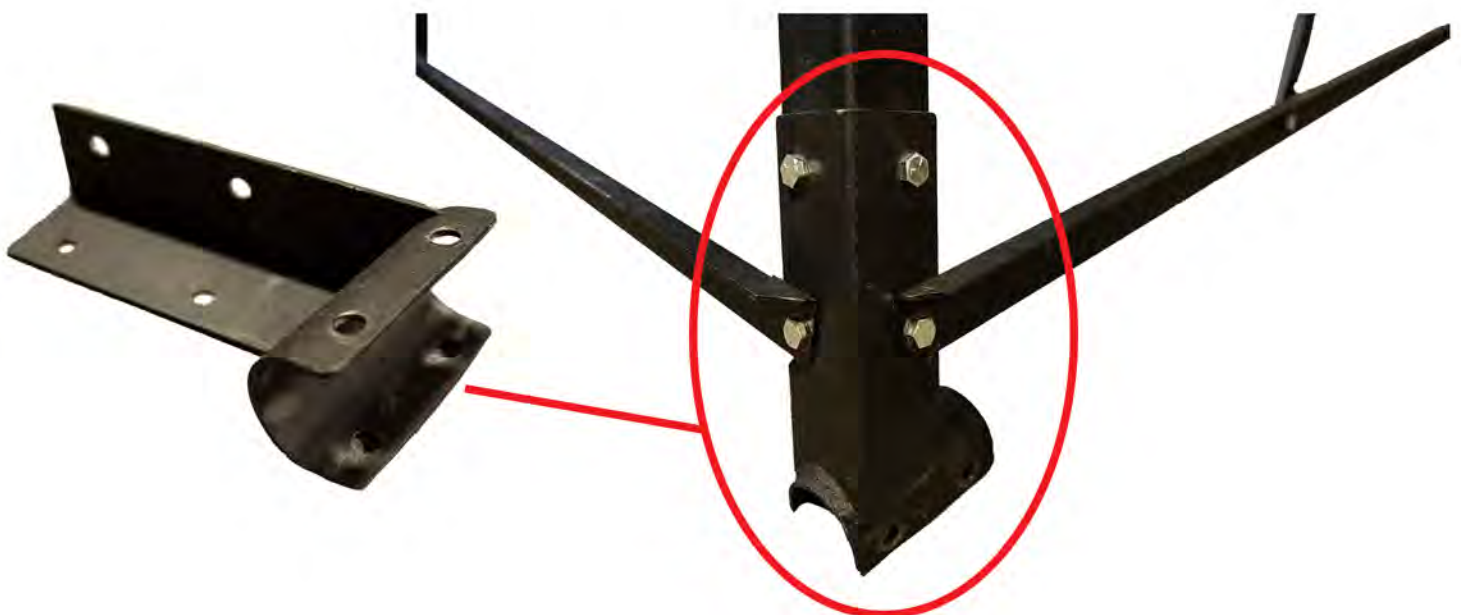
1. Refer to the 4' Steel Tower assembly instructions before moving to step 2.
2. Assemble skis. The 65.5" Front Ski has a Connection Tube plug-welded to the open end of the ski. Find the 60" Back Ski and connect it to the Front Ski, sliding it over the Connection Tube. *Note: The Towing Hook should point in on both ski components.



3. Remove the Foot Pads from the Steel Tower.

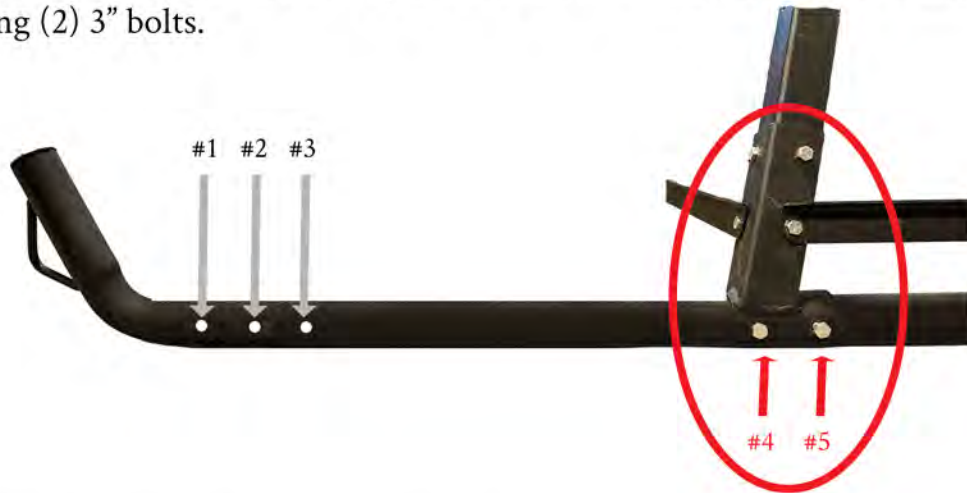


4. Connect the Ski Connection Boot at the bottom of the appropriate leg using 3/8-16x1" bolts. Repeat on all sides. Snug bolts, do not tighten.



SKID KIT | FOR 4' TOWER

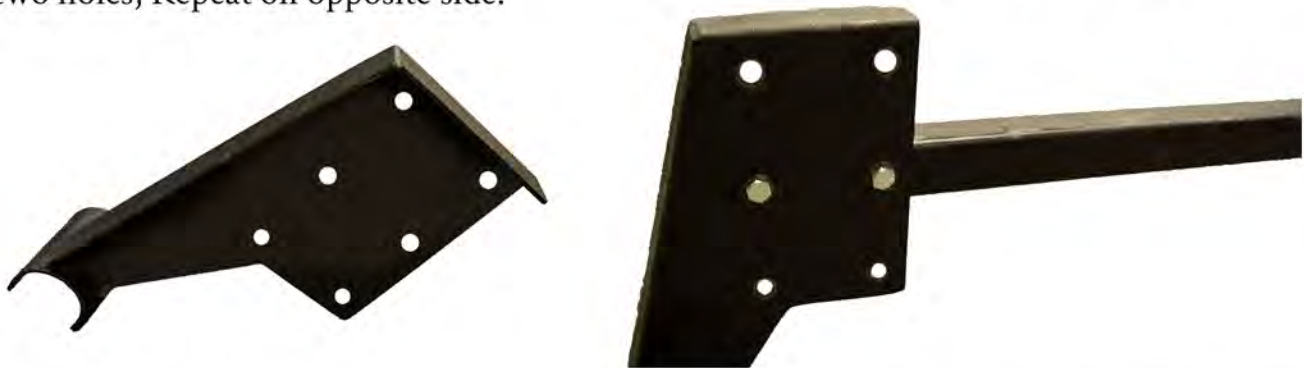
5. Take your assembled Ski and line up the rear Boot with holes number 4 and 5 on the Ski; connect using (2) 3" bolts.



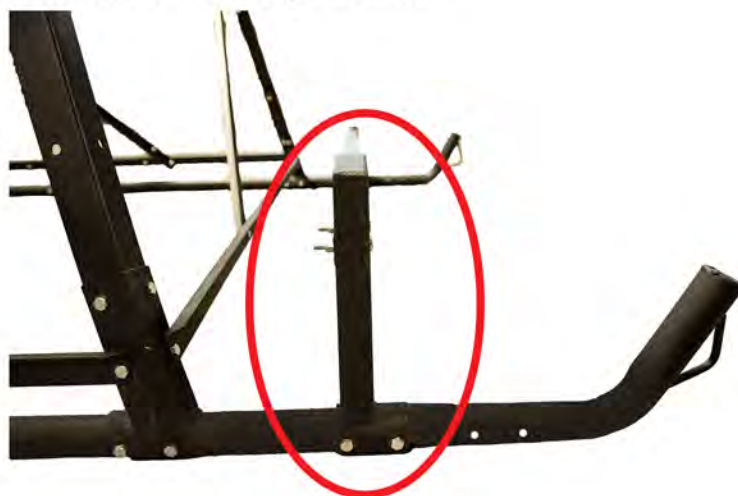
- Attach the Front Boot to the aligning holes.
- Repeat on opposite side.

6. Remove Foot Pads from Ladder.

7. Take the Ladder Support Wing and connect it to the 57" Square Tubing using the center two holes; Repeat on opposite side.



8. Attach the Ladder Support Assembly (that was created in step 7) to the front of the skis using the two holes illustrated in the image below.



SKID KIT FOR 4' TOWER WITH DECK PLATE

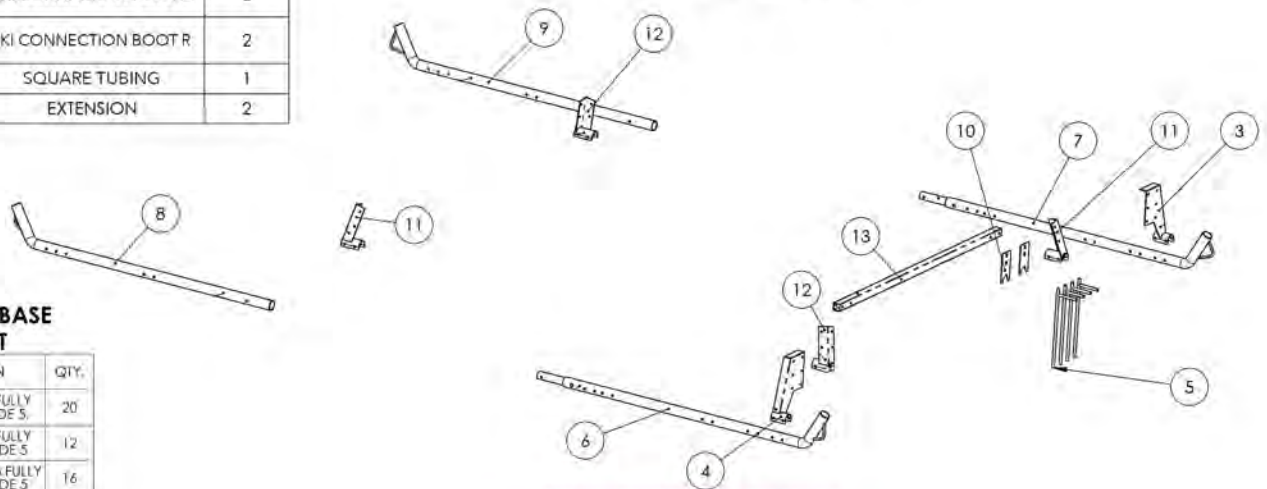
ASSEMBLY INSTRUCTIONS

PART LIST:

ITEM NO.	PART NUMBER	DESCRIPTION	QTY.
1	91517.01.025	HORIZONTAL TUBE	2
2	91517.01.007	SQUARE CONNECTING TUBE	1
3	91517.01.004	LADDER SUPPORT WING	1
4	91517.01.024	LADDER SUPPORT WING	1
5	10618.01.000	ANCHOR	4
6	91517.01.000	FRONT SKI BASE LH	1
7	91517.02.000	FRONT SKI BASE RH	1
8	91517.03.000	REAR SKI BASE RH	1
9	91517.04.000	REAR SKI BASE LH	1
10	92219.01.000	LADDER CONNECTION PLATE	2
11	91517.50.003.1	SKI CONNECTION BOOT L	2
12	91517.51.003.1	SKI CONNECTION BOOT R	2
13	91517.01.026	SQUARE TUBING	1
14	91517.01.028	EXTENSION	2

NOTE: There are pieces in the box that will not be used in this assembly.

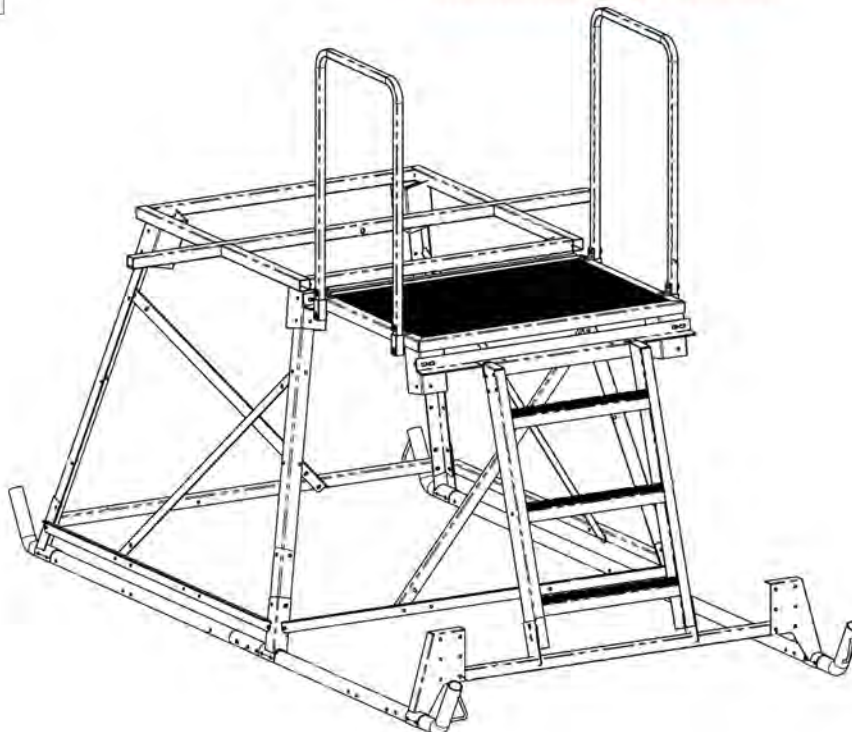
EXPLODED VIEW



**STEEL SKID SYSTEM BASE
HARDWARE KIT**

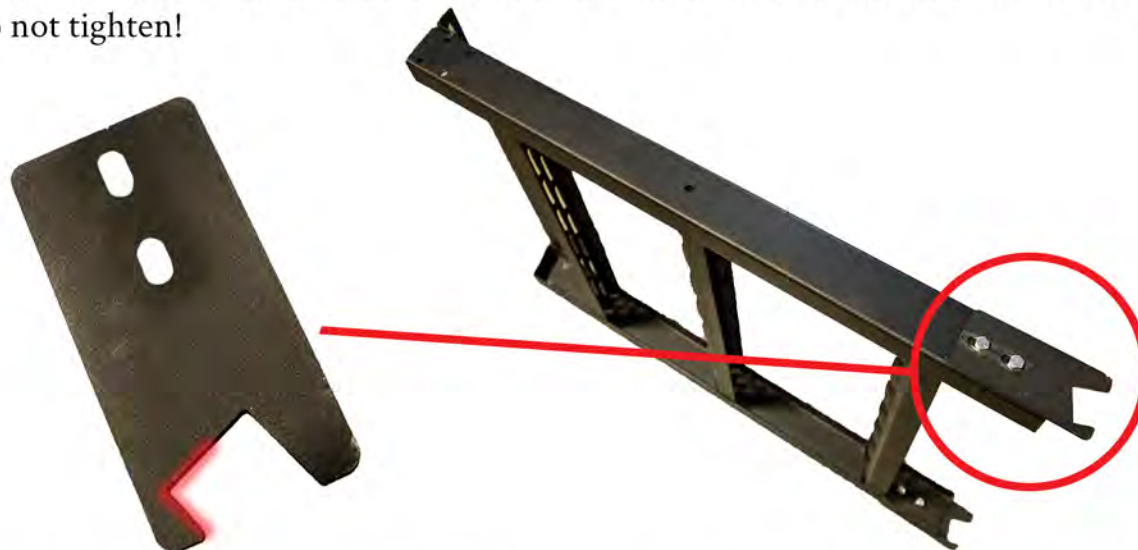
ITEM NO.	PART NUMBER	DESCRIPTION	QTY.
1	92865A624	3/8-16 X 1" HHB FULLY THREADED GRADE 5	20
2	92865A632	3/8-16 X 2" HHB FULLY THREADED GRADE 5	12
3	92865A634	3/8-16 X 2 1/2" HHB FULLY THREADED GRADE 5	16
4	92865A636	3/8-16 X 3" HHB FULLY THREADED GRADE 5	12
5	95615A140	3/8-16 NYLOCK NUT GRADE 5	60

SPECIAL INSTRUCTIONS: INSTALL ALL HARDWARE LOOSELY BEFORE TIGHTENING.

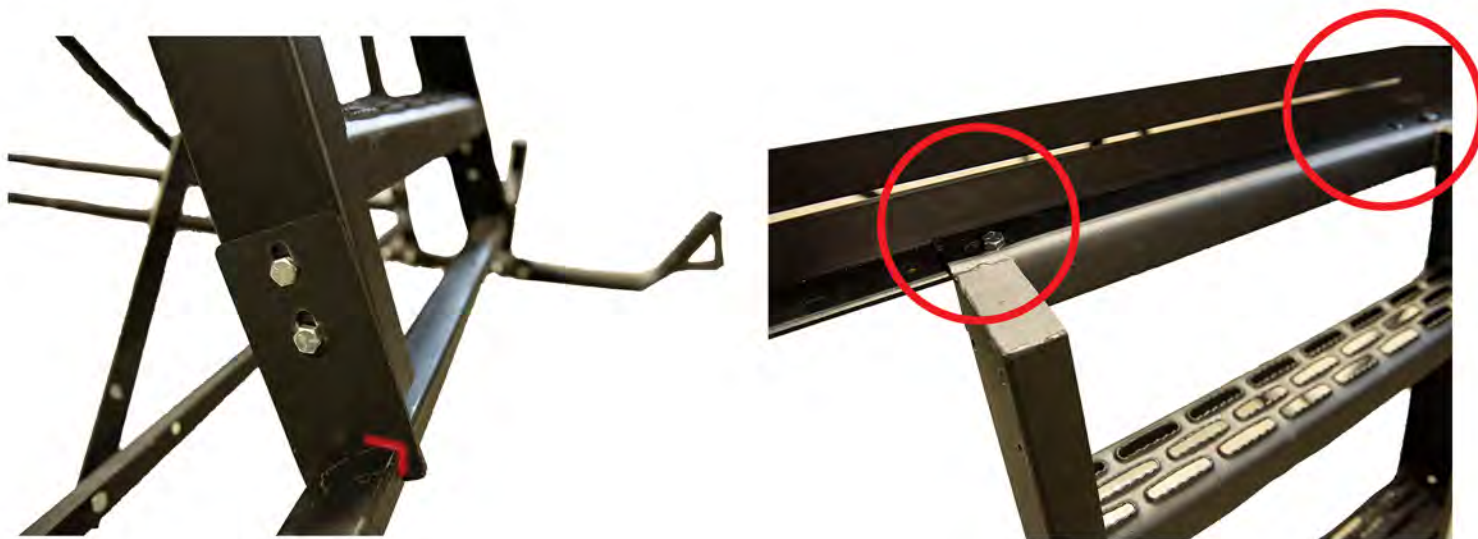


SKID KIT | FOR 4' TOWER

9. Ladder Assembly: Locate and attach the Ladder Connection Plate to the bottom of the ladder. The short angle of the notch on the Connection Plate will be to the front of the ladder. *Do not tighten!



10. Set the ladder on top of the Ladder Support Assembly - aligning the notch with the square tubing. Insert pegs on top of the ladder into the holes in the Ladder Support Bracket that is attached to the tower. Fasten ladder to the Ladder Support Bracket using 3/8-16x1" bolts.



11. Tighten all bolts.

12. Your assembly is complete.

SKID KIT | FOR 4' TOWER WITH DECK PLATE

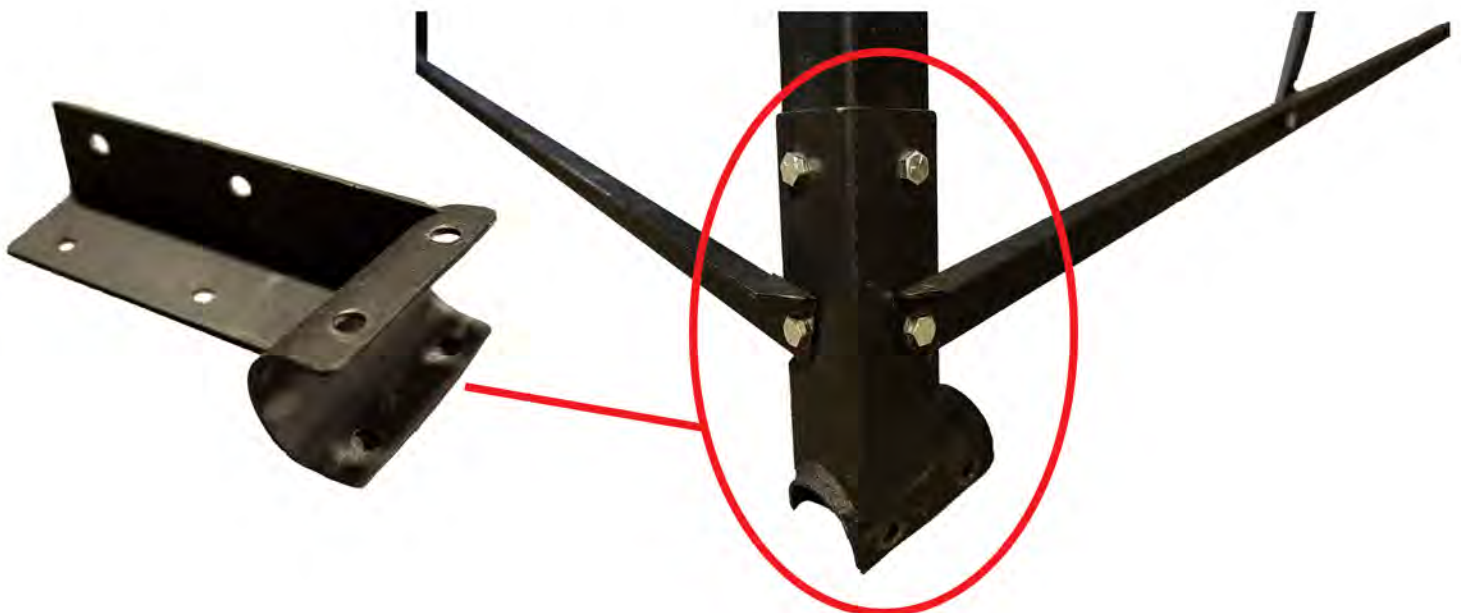
1. Refer to the 4' Steel Tower assembly instructions before moving to step 2.
2. Assemble skis. The 65.5" Front Ski has a Connection Tube plug-welded to the open end of the ski. Find the 60" Back Ski and connect it to the Front Ski, sliding it over the Connection Tube. *Note: The Towing Hook should point in on both ski components.



3. Remove the Foot Pads from the Steel Tower.

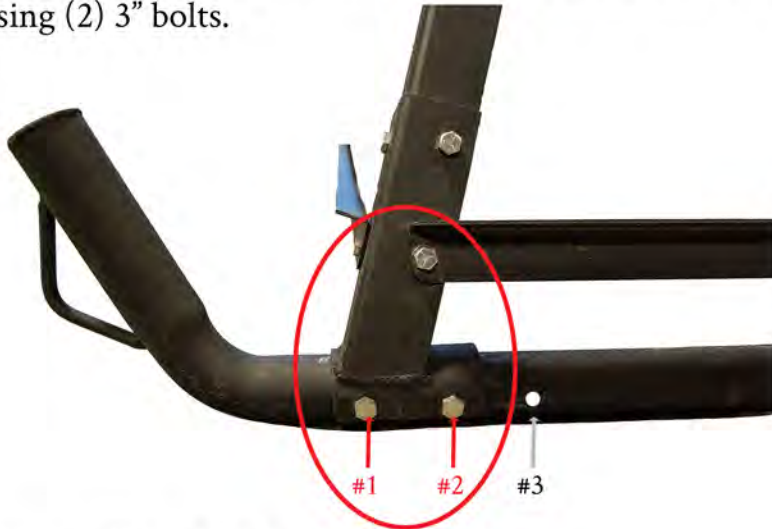


4. Connect the Ski Connection Boot at the bottom of the appropriate leg using 3/8-16x1" bolts. Repeat on all sides. Snug bolts, do not tighten.



SKID KIT | FOR 4' TOWER WITH DECK PLATE

5. Take your assembled Ski and line up the Rear Boot with holes number 1 and 2 on the Ski; connect using (2) 3" bolts.



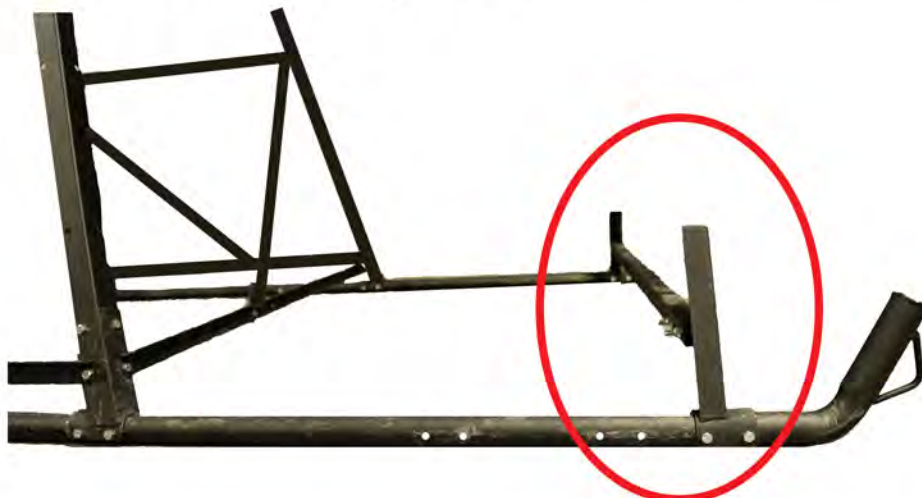
- Attach the Front Boot to the aligning holes.
- Repeat on opposite side.

6. Remove Foot Pads from Ladder.

7. Take the Ladder Support Wing and connect it to the 57" Square Tubing using the bottom two holes; Repeat on opposite side.



8. Attach the Ladder Support Assembly (that was created in step 7) to the front of the skis using the two holes illustrated in the image below.



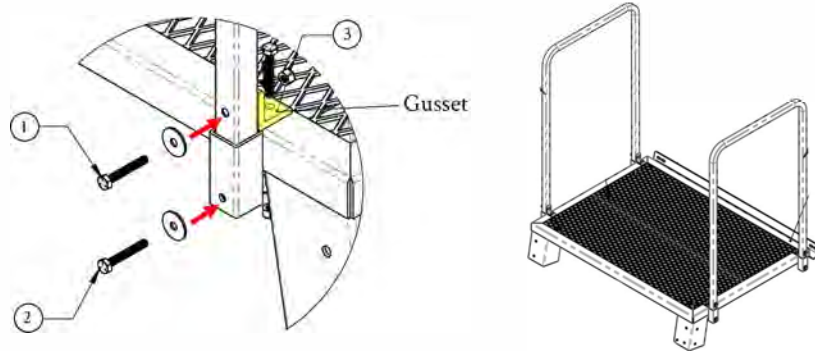
SKID KIT | FOR 4' TOWER WITH DECK PLATE

9. Ladder Assembly: Locate and attach the Ladder Connection Plate to the bottom of the ladder. The short angle of the notch on the Connection Plate will be to the front of the ladder. *Do not tighten!



10. Deck Plate Assembly: Unpack all components of the Deck Plate.

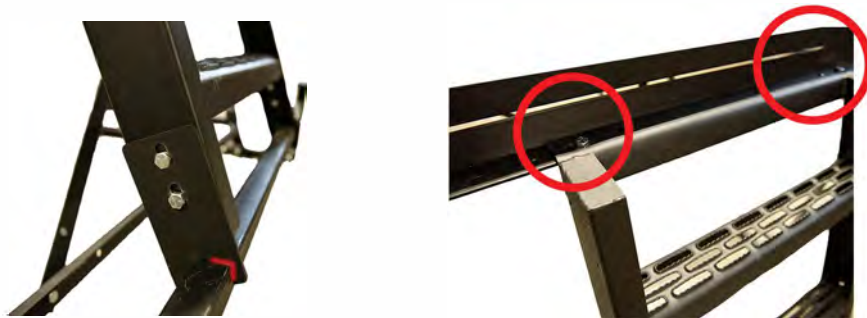
11. Attach the (4) Angled Gussets to the Deck Plate with (4) 1/4 x 20 x 1 3/4" bolts. Attach the handrails to both sides of the Deck Plate using (8) 1/4 x 20 x 3/4" bolts.



12. Attach your Ladder Support Bracket to the pockets on the front of the Deck Plate using the 3/8-16 x 1" bolts.

13. Lay your Deck Plate on its side and slide your ladder up to the Ladder Support Bracket and attach the Deck Plate and the ladder together using 3/8-16 x 1" bolts.

14. Elevate your Deck Plate and attach it to the Support Bracket on the tower using the center pegs on the back of the Deck Plate. At the same time, set the ladder on top of the Ladder Support Assembly aligning the notch with the square tubing.



15. Tighten all bolts.

16. Your assembly is complete.

SKID KIT FOR 8' TOWER

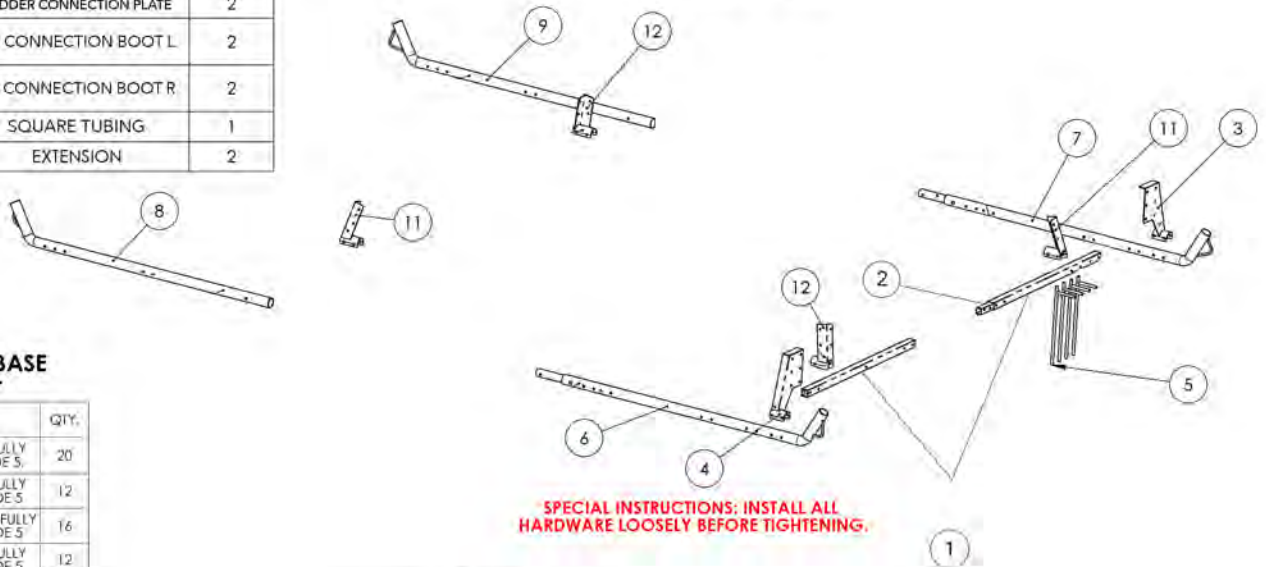
ASSEMBLY INSTRUCTIONS

PART LIST:

ITEM NO.	PART NUMBER	DESCRIPTION	QTY.
1	91517.01.025	HORIZONTAL TUBE	2
2	91517.01.007	SQUARE CONNECTING TUBE	1
3	91517.01.004	LADDER SUPPORT WING	1
4	91517.01.024	LADDER SUPPORT WING	1
5	10618.01.000	ANCHOR	4
6	91517.01.000	FRONT SKI BASE LH	1
7	91517.02.000	FRONT SKI BASE RH	1
8	91517.03.000	REAR SKI BASE RH	1
9	91517.04.000	REAR SKI BASE LH	1
10	92219.01.000	LADDER CONNECTION PLATE	2
11	91517.50.003.1	SKI CONNECTION BOOT L	2
12	91517.51.003.1	SKI CONNECTION BOOT R	2
13	91517.01.026	SQUARE TUBING	1
14	91517.01.028	EXTENSION	2

NOTE: There are pieces in the box that will not be used in this assembly.

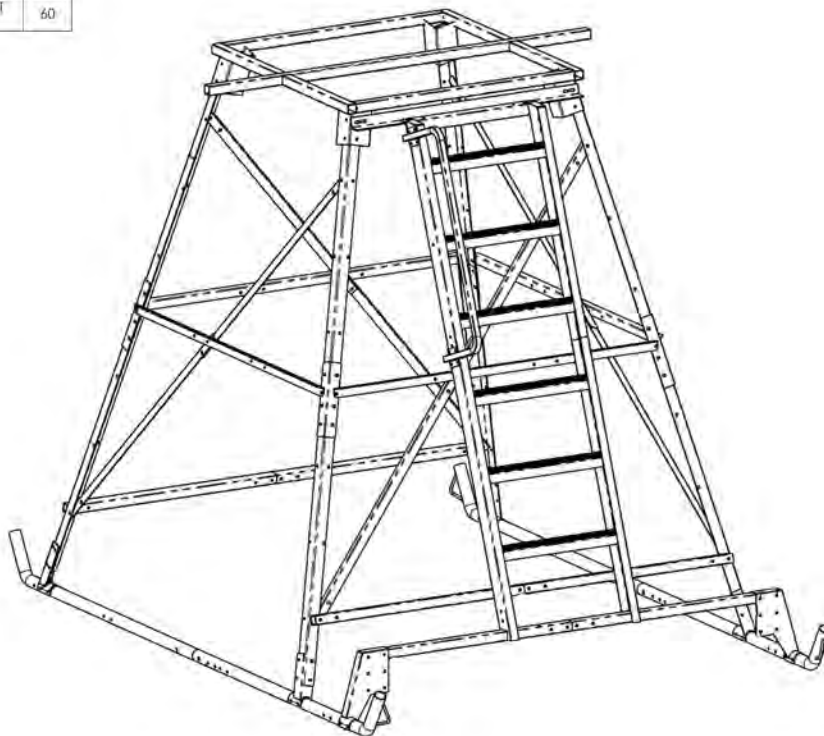
EXPLODED VIEW



SPECIAL INSTRUCTIONS: INSTALL ALL HARDWARE LOOSELY BEFORE TIGHTENING.

**STEEL SKID SYSTEM BASE
HARDWARE KIT**

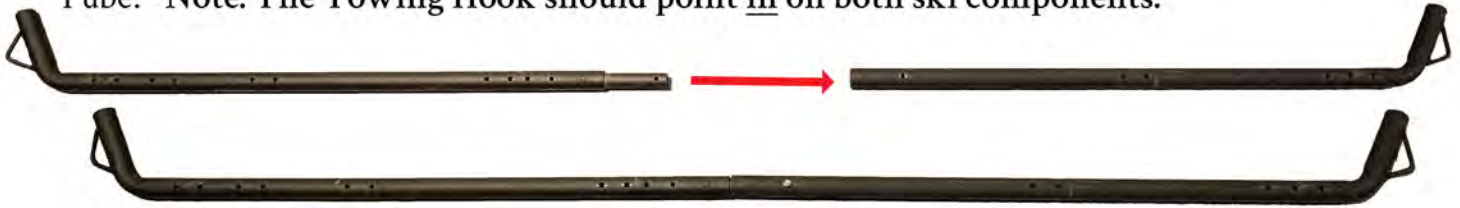
ITEM NO.	PART NUMBER	DESCRIPTION	QTY.
1	92865A624	3/8-16 X 1" HHB FULLY THREADED GRADE 5	20
2	92865A632	3/8-16 X 2" HHB FULLY THREADED GRADE 5	12
3	92865A634	3/8-16 X 2 1/2" HHB FULLY THREADED GRADE 5	16
4	92865A636	3/8-16 X 3" HHB FULLY THREADED GRADE 5	12
5	95615A140	3/8-16 NYLOCK NUT GRADE 5	60



SKID KIT | FOR 8' TOWER

1. Refer to the 8' Steel Tower assembly instructions and follow steps #1-13 before moving to step 2.

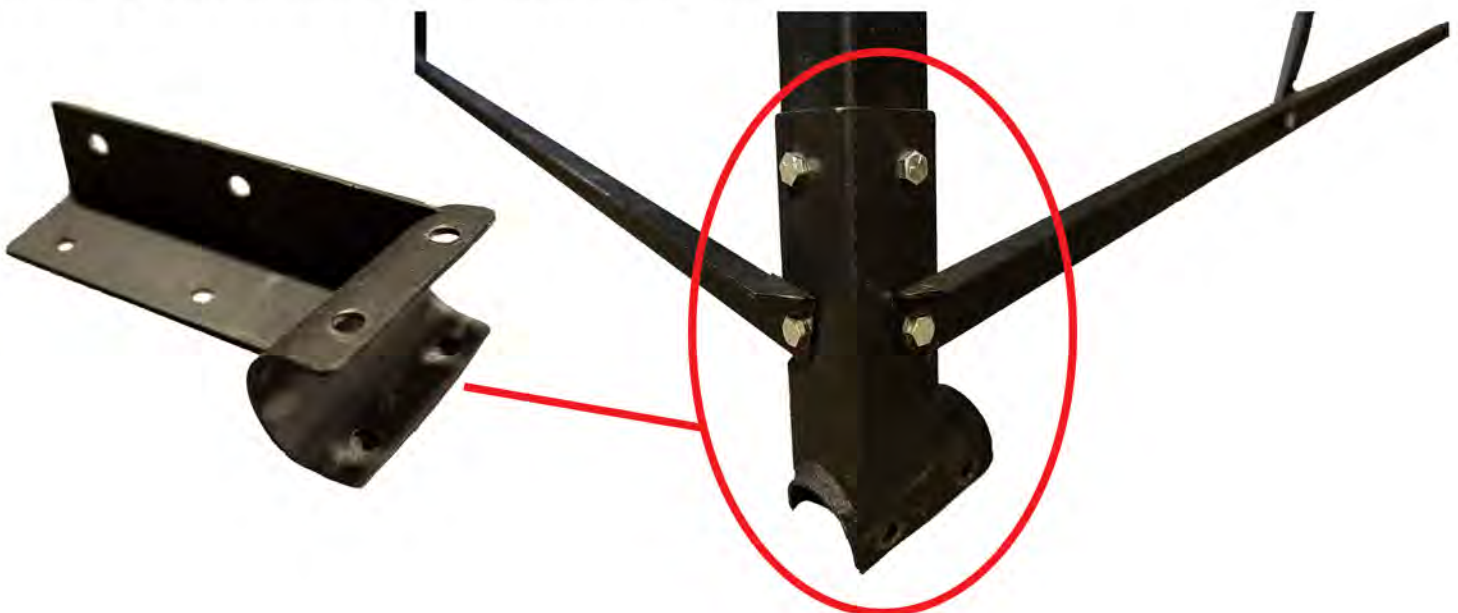
2. Assemble skis. The 65.5" Front Ski has a Connection Tube plug-welded to the open end of the ski. Find the 60" Back Ski and connect it to the Front Ski, sliding it over the Connection Tube. *Note: The Towing Hook should point in on both ski components.



3. Remove the Foot Pads from the Steel Tower.

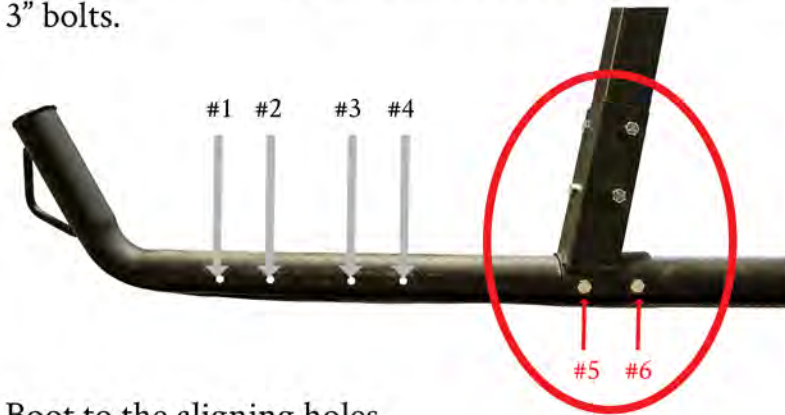


4. Connect the Ski Connection Boot at the bottom of the appropriate leg using 3/8-16x1" bolts. Repeat on all sides. Snug bolts, do not tighten.



SKID KIT | FOR 8' TOWER

5. Take your assembled Ski and line up the Front Boot with holes number 5 and 6 on the Ski; connect using (2) 3" bolts.



- Attach the Rear Boot to the aligning holes.
- Repeat on opposite side.

6. Remove Foot Pads from Ladder.

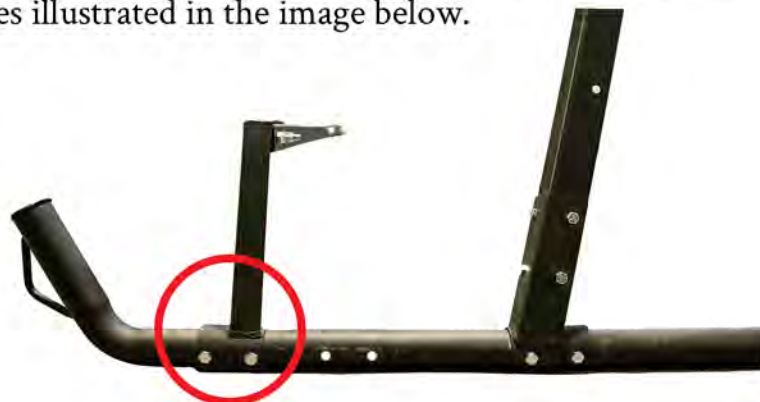
7. Take the 38.5" square tubing with the welded-in connection tube and attach it to the 38.5" square tube without the plug, to create a 77" Horizontal Tube.



8. Take the Ladder Support Wing and connect it to the 57" Square Tubing using the bottom two holes; Repeat on opposite side.



9. Attach the Ladder Support Assembly (that was created in step 7) to the front of the skis using the two holes illustrated in the image below.



SKID KIT | FOR 8' TOWER

10. Set the ladder on top of the Ladder Support Assembly - aligning the notch with the square tubing. Insert pegs on top of the ladder into the holes in the Ladder Support Bracket that is attached to the tower. Fasten ladder to the Ladder Support Bracket using 3/8-16x1" bolts.



11. Tighten all bolts.

12. Your assembly is complete.

SKID KIT FOR 8' TOWER WITH DECK PLATE

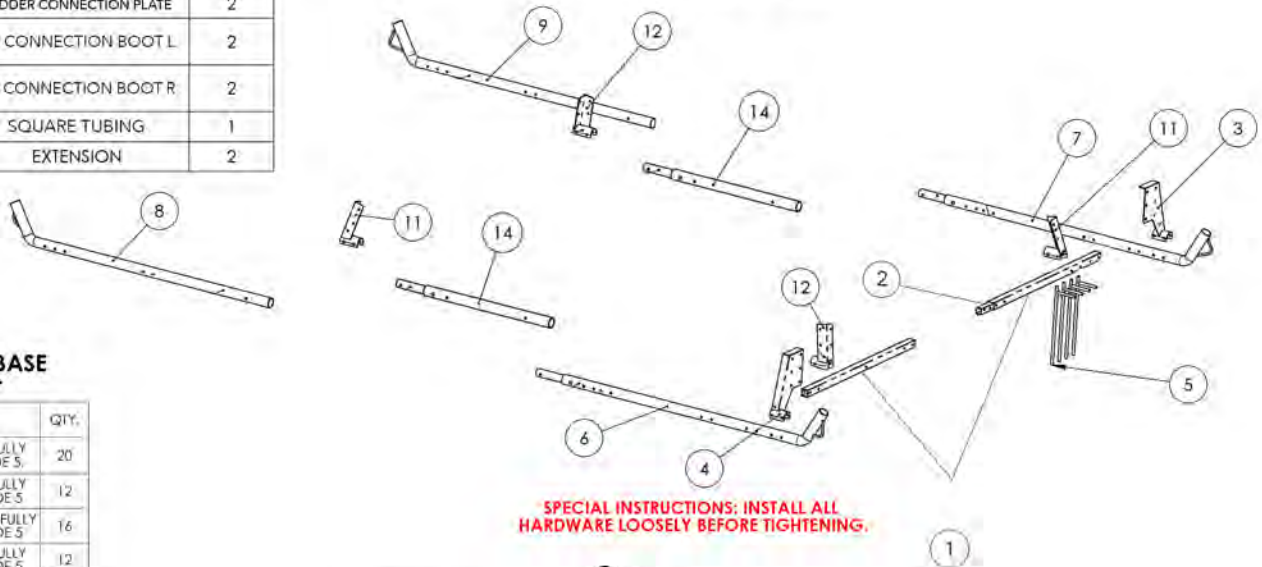
ASSEMBLY INSTRUCTIONS

PART LIST:

ITEM NO.	PART NUMBER	DESCRIPTION	QTY.
1	91517.01.025	HORIZONTAL TUBE	2
2	91517.01.007	SQUARE CONNECTING TUBE	1
3	91517.01.004	LADDER SUPPORT WING	1
4	91517.01.024	LADDER SUPPORT WING	1
5	10618.01.000	ANCHOR	4
6	91517.01.000	FRONT SKI BASE LH	1
7	91517.02.000	FRONT SKI BASE RH	1
8	91517.03.000	REAR SKI BASE RH	1
9	91517.04.000	REAR SKI BASE LH	1
10	92219.01.000	LADDER CONNECTION PLATE	2
11	91517.50.003.1	SKI CONNECTION BOOT L	2
12	91517.51.003.1	SKI CONNECTION BOOT R	2
13	91517.01.026	SQUARE TUBING	1
14	91517.01.028	EXTENSION	2

NOTE: There are pieces in the box that will not be used in this assembly.

EXPLODED VIEW



SPECIAL INSTRUCTIONS: INSTALL ALL HARDWARE LOOSELY BEFORE TIGHTENING.

STEEL SKID SYSTEM BASE HARDWARE KIT

ITEM NO.	PART NUMBER	DESCRIPTION	QTY.
1	92865A624	3/8-16 X 1" HHB FULLY THREADED GRADE 5	20
2	92865A632	3/8-16 X 2" HHB FULLY THREADED GRADE 5	12
3	92865A634	3/8-16 X 2 1/2" HHB FULLY THREADED GRADE 5	16
4	92865A636	3/8-16 X 3" HHB FULLY THREADED GRADE 5	12
5	95615A140	3/8-16 NYLOCK NUT GRADE 5	60



SKID KIT | FOR 8' TOWER WITH DECK PLATE

1. Refer to the 8' Steel Tower assembly instructions and follow steps #1-13 before moving to step 2.

2. Assemble skis. The 65.5" Front Ski has a Connection Tube plug-welded to the open end of the ski. Find the 32.75" Ski Extension Tube and connect it to the Front Ski, sliding it over the welded-in Connection Tube. Take the 60" Back Ski and connect it to the Ski Extension Tube. *Note: The Towing Hook should point in on both ski components.



3. Remove the Foot Pads from the Steel Tower.

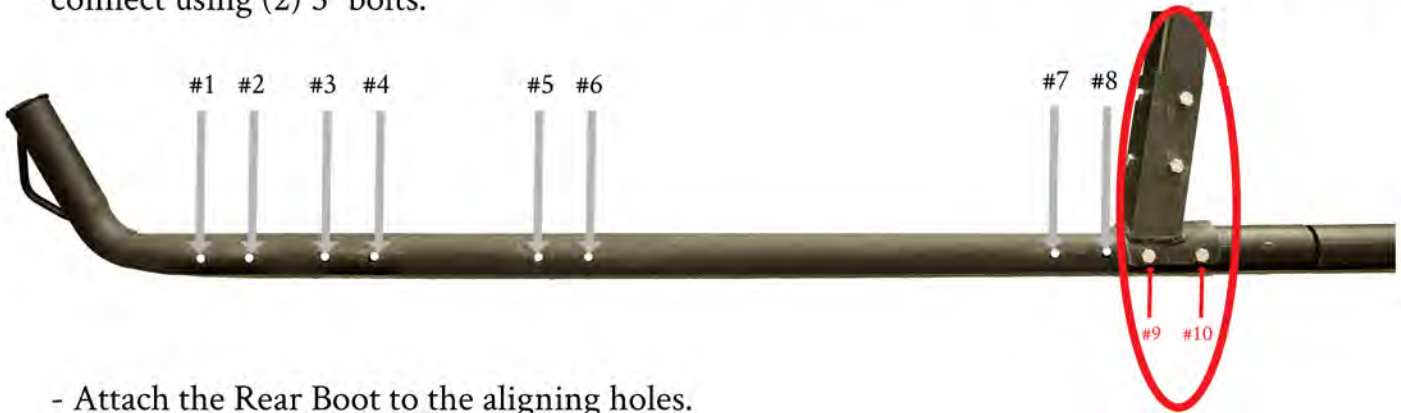


4. Connect the Ski Connection Boot at the bottom of the appropriate leg using 3/8-16x1" bolts. Repeat on all sides. Snug bolts, do not tighten.



SKID KIT | FOR 8' TOWER WITH DECK PLATE

5. Take your assembled Ski and line up the Front Boot with holes number 9 and 10 on the Ski; connect using (2) 3" bolts.



- Attach the Rear Boot to the aligning holes.
- Repeat on opposite side.

6. Remove Foot Pads from Ladder.

7. Take the 38.5" square tubing with the welded-in connection tube and attach it to the 38.5" square tube without the plug, to create a 77" Horizontal Tube.



8. Take the Ladder Support Wing and connect it to the 57" Square Tubing using the middle two holes; Repeat on opposite side.



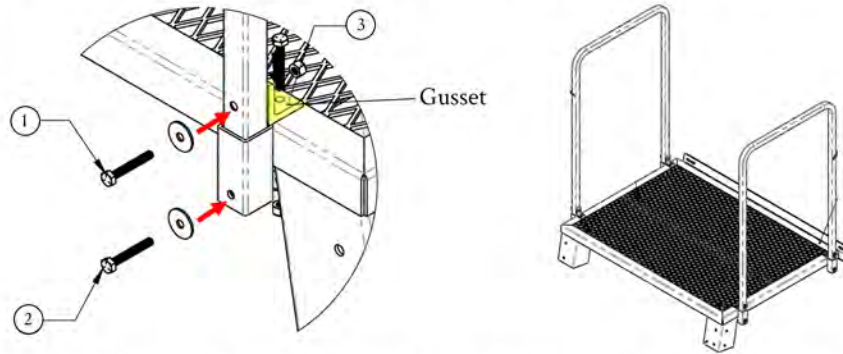
9. Attach the Ladder Support Assembly (that was created in step 7) to the front of the skis using the two holes illustrated in the image below.



SKID KIT | FOR 8' TOWER WITH DECK PLATE

10. Deck Plate Assembly: Unpack all components of the Deck Plate.

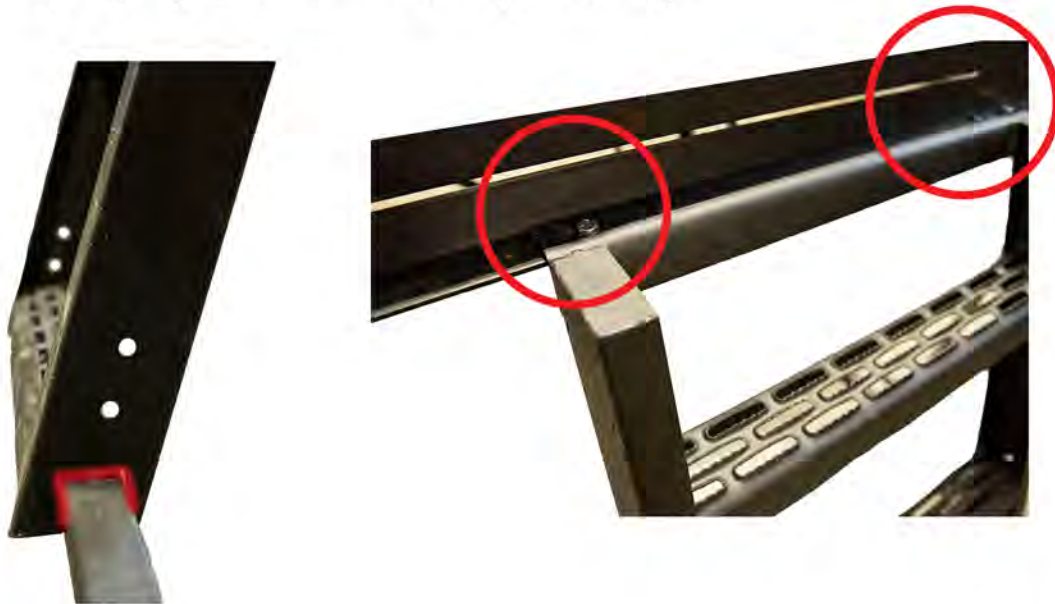
11. Attach the (4) Angled Gussets to the Deck Plate with (4) $1/4 \times 20 \times 1 \ 3/4$ " bolts. Attach the handrails to both sides of the Deck Plate using (8) $1/4 \times 20 \times 1 \ 3/4$ " bolts.



12. Attach your Ladder Support Bracket to the pockets on the front of the Deck Plate using the $3/8-16 \times 1$ " bolts.

13. Lay your Deck Plate on its side and slide your ladder up to the Ladder Support Bracket and attach the Deck Plate and the ladder together using $3/8-16 \times 1$ " bolts.

14. Elevate your Deck Plate and attach it to the Support Bracket on the tower using the center pegs on the back of the Deck Plate. At the same time, set the ladder on top of the Ladder Support Assembly aligning the notch with the square tubing.



15. Tighten all bolts.

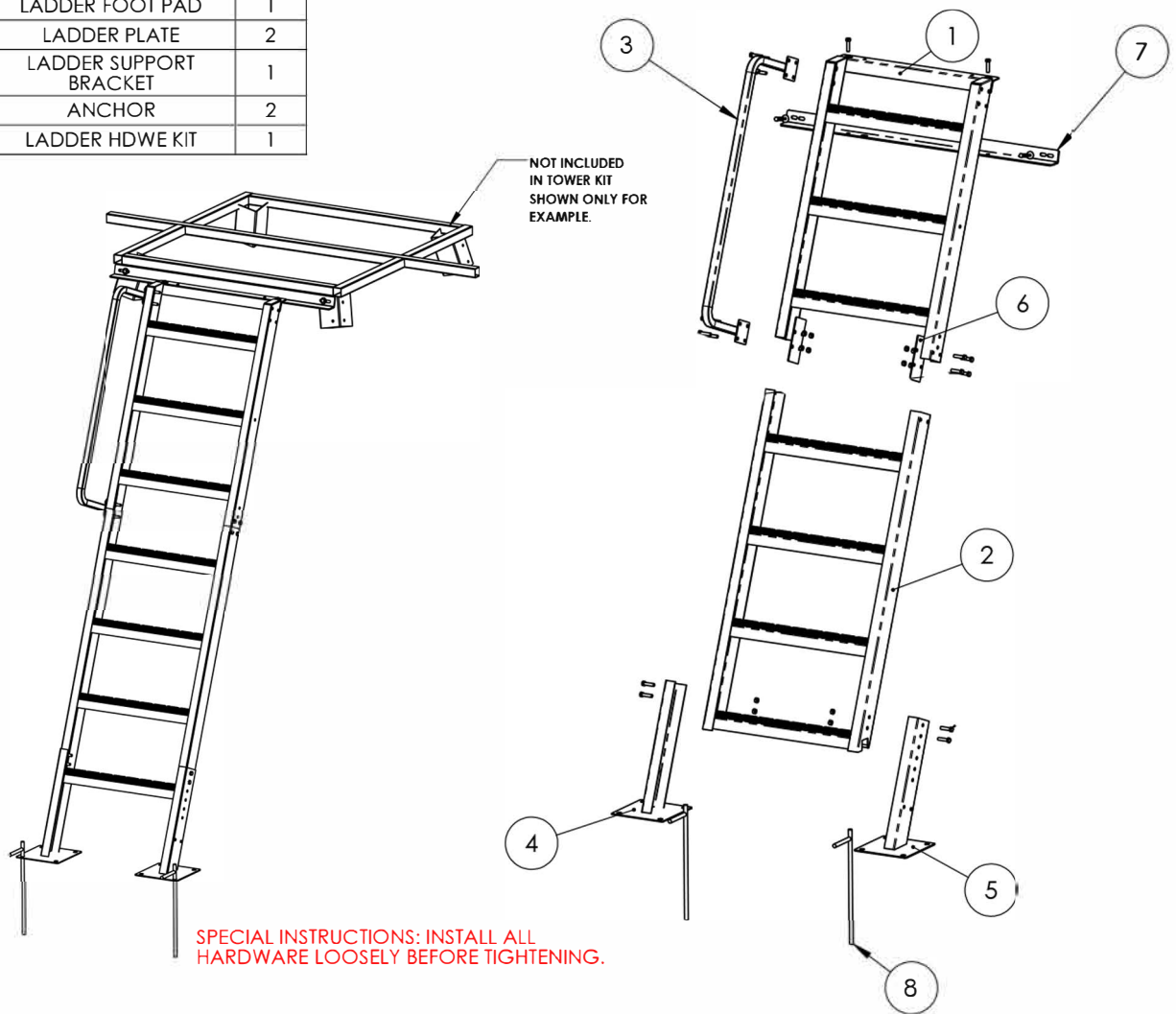
16. Your assembly is complete.

8' LADDER

ASSEMBLY INSTRUCTIONS

PART LIST:

ITEM NO.	PART NUMBER	DESCRIPTION	QTY.
1	91517.01.013	LADDER TOP	1
2	91517.01.016	LADDER BOTTOM	1
3	91517.01.017	HAND RAIL	1
4	92517.01.005	LADDER FOOT PAD	1
5	92517.01.006	LADDER FOOT PAD	1
6	10318.01.000	LADDER PLATE	2
7	12218.01.005	LADDER SUPPORT BRACKET	1
8	10618.01.000	ANCHOR	2
9	12418.01.210	LADDER HDWE KIT	1



HARDWARE KIT INCLUDES:
 16 PCS. 3/8-16 X 1" LONG HHB
 16 PCS. 3/8-16 NUTS
 2 PCS. 5/16" X 2" LAG BOLT
 2 PCS. 5/16" WASHER

SPECIAL INSTRUCTIONS: INSTALL ALL HARDWARE LOOSELY BEFORE TIGHTENING.

LADDER | 8'

1. Attach the Ladder Support Bracket to the front 2 pockets of the blind directly below the door. Use the upper holes on the pockets of the base. The angle of the Ladder Support Bracket will be facing down.



2. Assemble the ladder. Attach the Handrail to the upper Ladder section on your desired side using the 4 holes at the top of the Ladder.



a. Place the Ladder Plate inside the outer rail of the ladder and line up the holes connecting the upper and lower Ladder sections. On the side with the Handrail, you will use the same 4 holes for attaching the bottom of the Handrail and the Ladder Plate. Insert the bolts and tighten. Repeat minus the Handrail on the opposite side.



b. Attach the Ladder Foot Pads to the bottom of the Ladder. *Note: The multiple holes are for adjustment on uneven terrain.



14. Take the fully assembled Ladder to your blind and attach to the Ladder Support Bracket. Insert the Locking Pegs into the holes on the bracket. With the Pegs inserted, carefully climb your ladder to insert the 3/8-16 x 1" bolts to secure the ladder to the blind.



15. Tighten all bolts.

16. With the (2) Stakes, fasten the ladder to the ground using the holes in the Foot Pads.

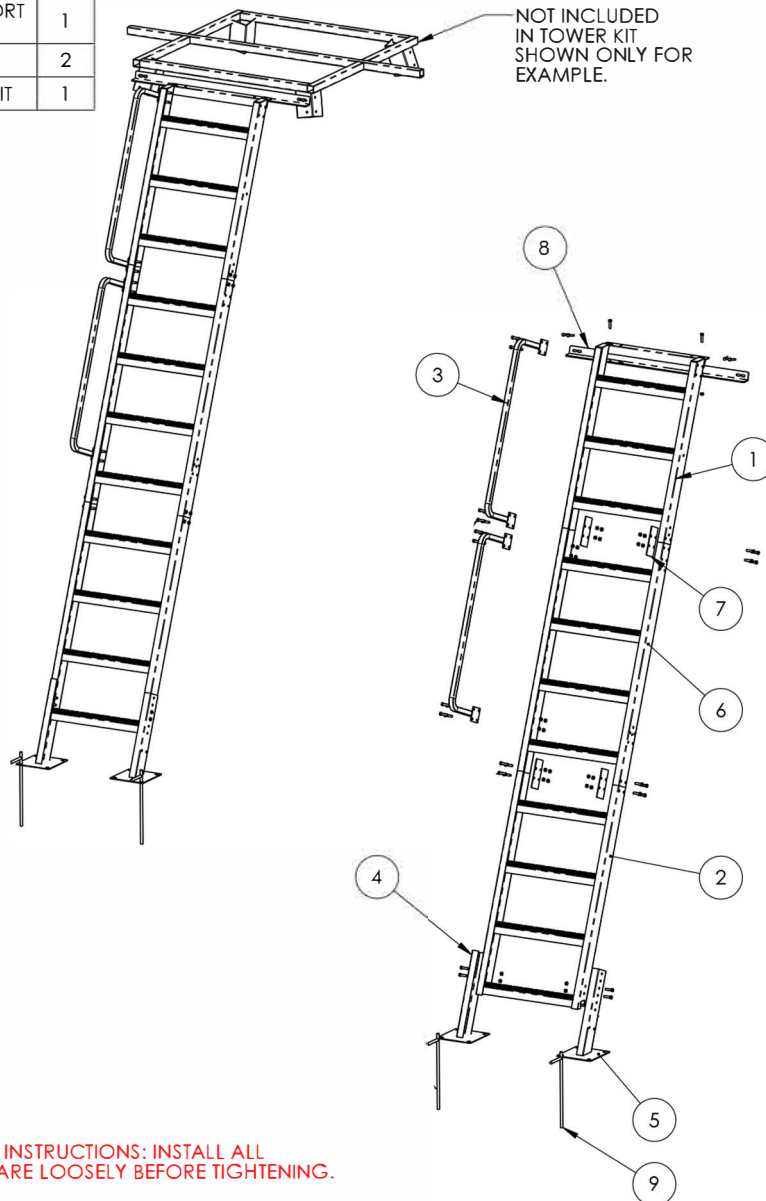
17. Your assembly is complete!

12' LADDER

ASSEMBLY INSTRUCTIONS

PART LIST:

ITEM NO.	PART NUMBER	DESCRIPTION	QTY.
1	91517.01.013	LADDER TOP	1
2	91517.01.016	LADDER BOTTOM	1
3	91517.01.017	HAND RAIL	2
4	92517.01.005	LADDER FOOT PAD	1
5	92517.01.006	LADDER FOOT PAD	1
6	10117.01.010	STEP WELDMENT	1
7	10318.01.000	LADDER PLATE	4
8	12218.01.005	LADDER SUPPORT BRACKET	1
9	10618.01.000	ANCHOR	2
10	12418.01.020	HARDWARE KIT	1



HARDWARE KIT INCLUDES:
 32 PCS. 3/8-16 X 1" LONG HHB
 32 PCS. 3/8-16 NUTS
 2 PCS. 5/16" X 2" LAG BOLT
 2 PCS. 5/16" WASHER

SPECIAL INSTRUCTIONS: INSTALL ALL HARDWARE LOOSELY BEFORE TIGHTENING.

1. Attach the Ladder Support Bracket to the front 2 pockets of the blind directly below the door. Use the upper holes on the pockets of the base. The angle of the Ladder Support Bracket will be facing down.



2. Assemble the ladder. Attach the Handrail to the upper Ladder section on your desired side using the 4 holes at the top of the Ladder.



- a. Place the Ladder Plate inside the outer rail of the ladder and line up the holes connecting the upper and lower Ladder sections. On the side with the Handrail, you will use the same 4 holes for attaching the bottom of the Handrail and the Ladder Plate. Insert the bolts and tighten. Repeat minus the Handrail on the opposite side.



- b. On the middle section of the ladder (included with the 4' Extension Kit), attach the second handrail using the 8 holes on the outer rail of the ladder.



- c. Attach the Lower Ladder Section to the Middle Ladder Section using the (2) remaining Ladder Plates.
- d. Attach the Ladder Foot Pads to the bottom of the Ladder. *Note: The multiple holes are for adjustment on uneven terrain.

14. Take the fully assembled Ladder to your blind and attach to the Ladder Support Bracket. Insert the Locking Pegs into the holes on the bracket. With the Pegs inserted, carefully climb your ladder to insert the 3/8-16 x 1" bolts to secure the ladder to the blind.



15. Tighten all bolts.

16. With the (2) Stakes, fasten the ladder to the ground using the holes in the Foot Pads.

17. Your assembly is complete!